

Room conditions sensor

Measure your room conditions with a single sensor.

Our room condition sensor measures occupancy, light, sound, temperature and humidity. This small, discreet sensor can be mounted on a wall, ceiling or table top. Producing near real-time, highly accurate data which you can use to ensure your room conditions are at optimum levels at all times.

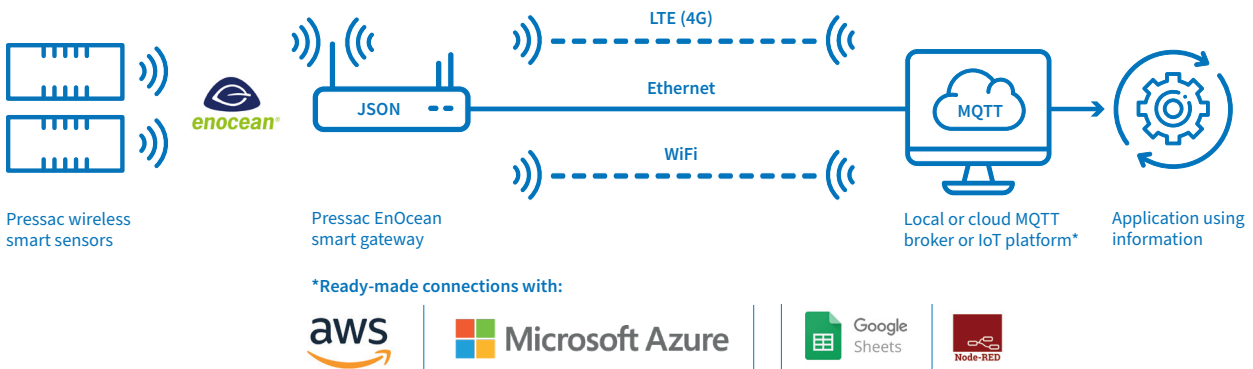
Features

- Measures occupancy, light, sound, temperature and humidity:
 - Occupancy up to 6 meters
 - Light 0-20,000 lx
 - Sound 0-124 dB
 - Temperature -10-50°C
 - Humidity 0-100% RH
- Instant updates when occupancy detected, plus status updates every 10-300 minutes. Reports room conditions every 5-60 minutes (configurable).

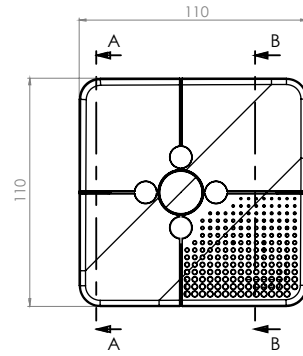
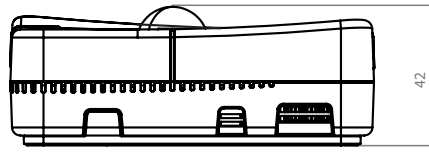


Integrating sensor data

Our smart gateway receives near real-time data from all sensors within range, converts the raw data into an easy-to-use JSON format, then publishes it using MQTT protocol. Data can be sent - via Ethernet, LTE (4G) or WiFi - to any local or cloud MQTT broker; securely to Microsoft Azure IoT Hub or AWS IoT Core; directly into Google Sheets; or to a Node-RED application.



Technical specification



Measurement	<p>Transmission rate:</p> <ul style="list-style-type: none"> reports presence detection in real time and status updates can be configured between 10 minutes and 5 hours. Absence time out configurable between 2 and 60 minutes reports every 5-60 minutes (default 15 minutes) with a random +/- 2 minutes to avoid data transmission collisions <p>Measurement range:</p> <ul style="list-style-type: none"> Occupancy detection range up to 6 meters within a 360 degree field of view Light: 0-20,000 lx (accuracy +/- 5 lx) Sound: 1-124 dB (accuracy +/- 10 dB) Temperature -10-50°C (accuracy +/- 0.5°C) Humidity 0-100% RH (accuracy +/- 5%)
Power specification	Power: 5V USB to DC mains adapter (supplied)
Wireless specification	<p>Protocol: EnOcean</p> <p>Radio frequency:</p> <ul style="list-style-type: none"> 868 MHz for Europe and other countries adopting RED <p>Range: up to 30 metres in buildings and 300 metres in free field</p> <p>Telegram type: 4BS and VLD</p> <p>EnOcean Equipment Profile (EEP): A5-07-01</p> <p>Security: 128 AES encryption configurable ON/OFF</p>
Enclosure specification	<p>Material: ABS plastic</p> <p>IP rating: IP2X</p> <p>Dimensions: 110 x 110 x 42 mm (approx)</p>
Installation	<p>Fixing: Screws to wall – screws provided – or rubber feet for desktop</p> <p>Recommended Positioning: install on ceiling, away from heat or ventilation sources</p> <p>Operating temperature: -10°C to +55°C</p> <p>Storage temperature: -20°C to +55°C</p> <p>Environment: indoor</p> <p>Calibration: not required</p>
Compliance	CE approved, RoHS compliant, WEE directive compliant, FCC compliant
Part number	SR_LIN_RCS_E868



If you're looking for a partner who offers quality solutions in high volumes – get in touch
 Call us: +44 (0)115 936 5200 Email us: Info@pressac.com Visit us: www.pressac.com